

KOENIG & BAUER

Universal separation

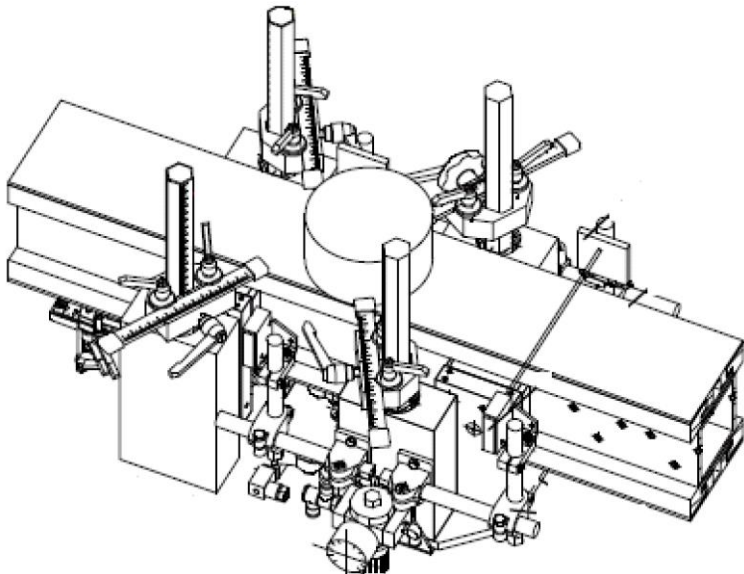
we're on it.

Universal separation

Your **benefits** at a glance:

- automatic separation and feeding of articles
- no format parts are required for the items

- the universal separation allows the automatic separation of articles
- The first stopper pair separates an article from the line up and absorbs the pressure of the jammed articles
- The second stopper pair releases the previously separated article depending on the machine cycle, so that it arrives at the end of the belt in the pickup position of the infeed robot



Characteristics

- in addition to software expansion mechanical and electrical retrofits are required
- the retrofitting will be done by one of our qualified service technicians
- our technicians also take over the training with regard to functionality and setting of the universal separation