

KOENIG & BAUER

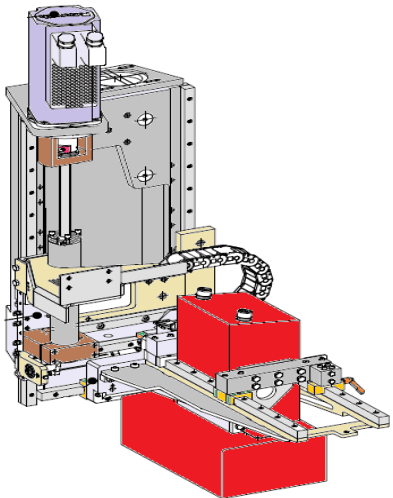
**Print image inspection**

we're on it.

# Print image inspection

## Your **benefits** at a glance:

- 100% quality control
- misprinted articles, such with print image deviations, or non-printed articles can optionally removed from the outfeed conveyor
- detection of sieve mesh tearing
- personnel cost savings due to fully automatic operation
- no wear on the system through contactless inspection



- with a print image inspection system, the decoration can be checked with regard to image completeness, register mismatches, scratches, smears, color deviations, etc.
- this system allows a 100% decoration quality assurance
- articles which do not meet the quality requirements, are reported as NOK and can be separated from the articles reported as OK by an optional article ejection system
- the industrial camera has a high-precision resolution



## Characteristics

- in addition to software expansion, mechanical and electrical retrofits are required
- we recommend the retrofitting by one of our qualified service technicians
- technicians from our business partner DeCoSystem perform the training with regard to functionality, adjustment and operation of the print image inspection system

