

KOENIG & BAUER

Dynamic tilting

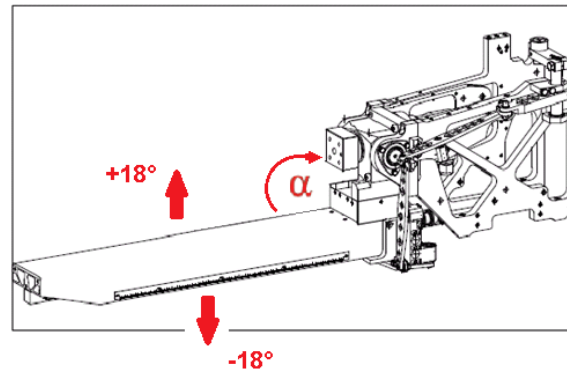
we're on it.

Dynamic tilting

Your **benefits** at a glance:

- due to the tilting axis the pickup arm can always move the article corresponding to the screen during the printing process
- decors that are to be applied in a printing unit and require different tilt angles can be decorated with this function in high quality

- the dynamic tilting allows the receiving arm to tilt during the printing process
- the article can be positioned automatically parallel to the screen according to its contour
- due to the dynamic tilt angle change, products with a convex surface can be printed in high quality
- the function is suitable for the printing process in both longitudinal and extensive printing



Characteristics

- the prerequisite is the equipment of the machine with a tilting axis
- software expansion (HMI and machine software)

