

KOENIG & BAUER

Automatic supply

for thermoplastic ink

we're on it.

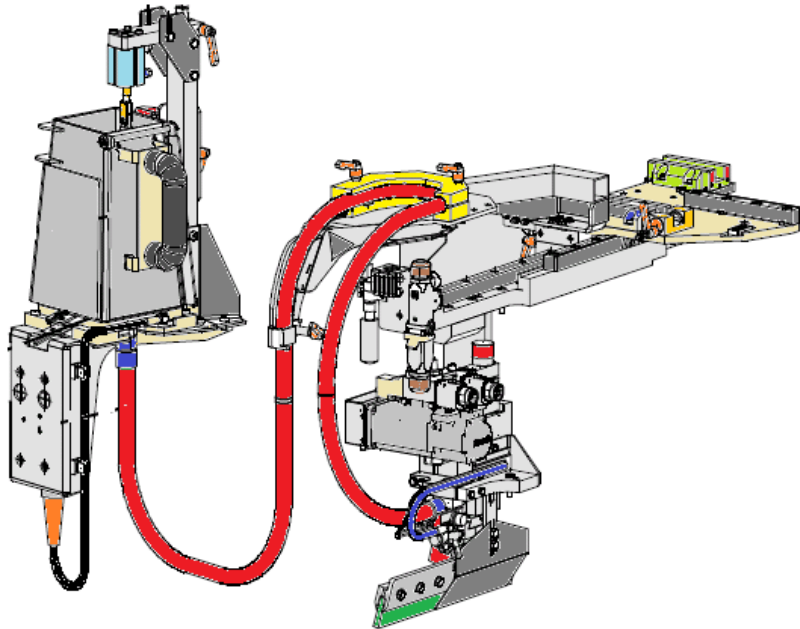
Automatic supply

for thermoplastic ink

Your **benefits** at a glance:

- increasing of productivity due to reduced downtimes
- machine stops for refilling are no longer necessary as the ink can be replenished outside the machine
- reduction in ink consumption due to needs-based ink supply and optimum color quantity in the sieve at all times

- the ink tank (supplied with color granules or preheated paint) can be accessed directly via feed hopper from outside the safety doors
- in the paint reservoir, the color granules are heated and kept at the right processing temperature
- the liquefied paint is pumped through a heated hose with aid of a piston pump and fed to the screen printer in randomly adjustable intervals



Characteristics

- in addition to software expansion, mechanical and electrical retrofits are required
- we recommend the retrofitting by one of our qualified service technicians
- this offers the advantage to directly train the machine operators in terms of functionality, configuration and operating principle